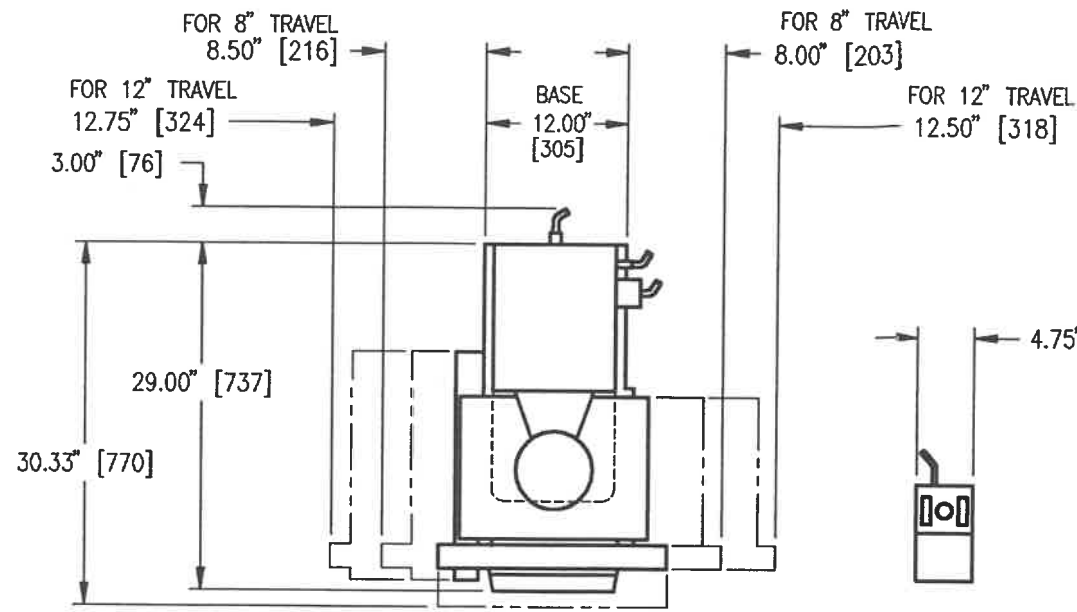
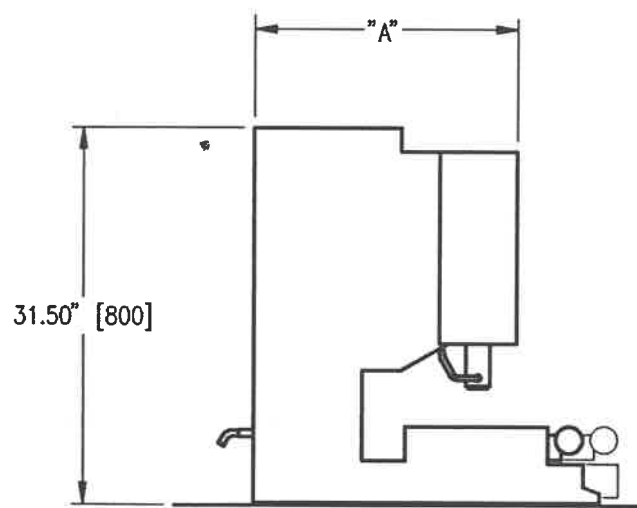
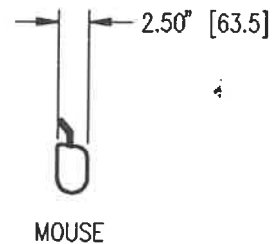
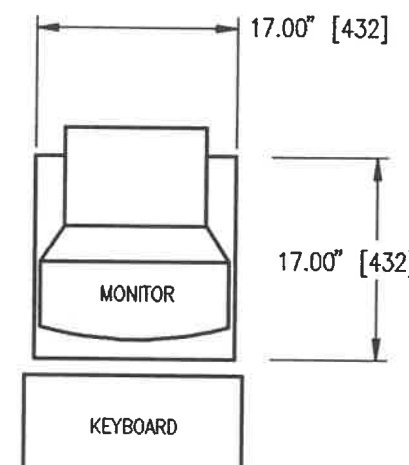
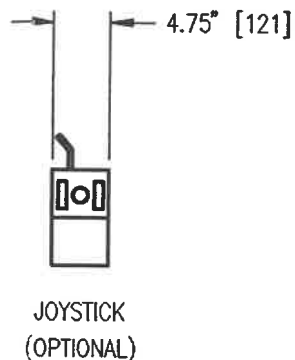


D REV. 522942-B-522942
 ON DWG

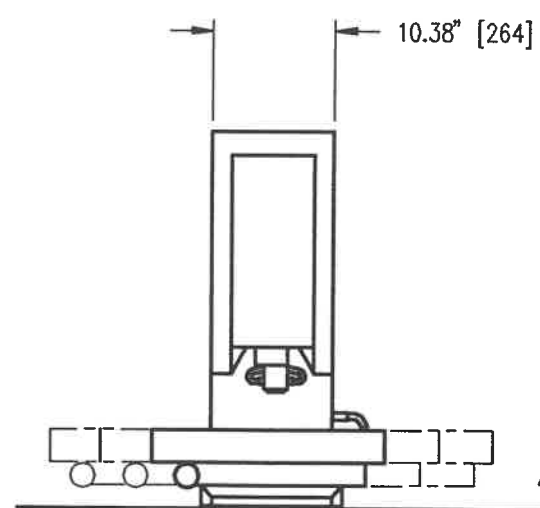
CHANGES				
LET.	ECN NO.	BY	DATE	CHK.
A	11685	GEO	9/16/92	BG
B	11765	ALG	10/27/92	BG
C	13486	GEO	11/8/96	HCD
D	13675	GEO	4/17/97	BG



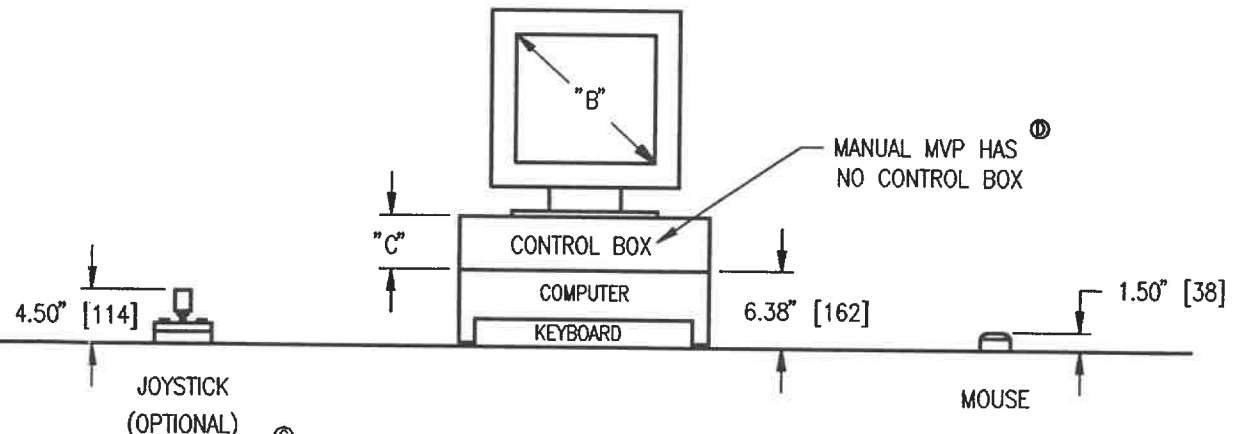
TOP VIEW



SIDE VIEW



FRONT VIEW



MODEL	"A"	"B"	"C"
SMARTSCOPE:	22.13" [562]	16" DIAG. MONITOR	4.50" [114] OPTIONAL
MVP:	21.50" [545]	14" DIAG. MONITOR	4.50" [114] OPTIONAL

- NOTES:
- ELECTRICAL HOOK-UP:
 USA: 120VAC +/- 10% 50/60Hz
 U.K., SINGAPORE, MALAYSIA: 240VAC/50 Hz
 EUROPE: 220VAC/50Hz
 JAPAN: 100VAC/50Hz
 - DIMENSIONS IN PARENTHESIS ARE MILLIMETERS.

AutoCAD REL 10 FILENAME
 522942C_.DWG
 FOR 3-D FILE SEE

DO NOT SCALE THIS DRAWING
 THIS DRAWING IS THE PROPERTY
 OF OGP, INC. AND MUST BE USED
 ONLY IN CONNECTION WITH OUR
 WORK, AND AS SPECIFIED BY US.

DET. NO.	NO. REQ.	BILL OF MATERIAL	MATERIAL
UNLESS OTHERWISE SPECIFIED		TITLE	
3 PLACE DECIMALS ± .005		SMARTSCOPE/MVP EQUIPT. LAYOUT	
2 PLACE DECIMALS ± .01		DRAWN	GEO 9/16/92 MATERIAL
FRACTIONAL ± 1/64		CHKD.	BG 9/16/92 FINISH
ANGULAR ± 1°		APPVD.	BG 9/16/92
MACHINED SURFACES		SCALE	CUST. DWG. NO. REV.
125 ✓ OR BETTER		1/16	JOB NO. B-522942 D
REMOVE ALL SHARP EDGES		OPTICAL GAGING PRODUCTS, INC. 850 HUDSON AVE. ROCHESTER, NY 14621	
SH. 1	OF 1		